

DM86D / DM86E

2×10W / 4×10W Bluetooth Mini In Wall Amplifier with Volume Knob Control



Description

The DM86D (2 × 10W/8 Ω) and DM86E (4 × 10W/8 Ω) are Bluetooth intelligent music amplifiers with knob control and display. They feature a tempered glass panel, 4 touch buttons, a power switch, and a volume knob for easy operation.

They support Bluetooth streaming, AUX input, TF card, and USB playback (up to 32GB), and include a customizable power-on welcome message.

With simple smart control and stable audio performance, the DM86D and DM86E are ideal for hotels, offices, and commercial spaces, available in black, white, and gray.

Features

- Tempered glass panel with anodized metal frame, 4 touch buttons, power switch, and volume knob.
- Power-on welcome function: plays preset hotel welcome music/message on startup (via TF card/USB, SYSTEM/WELCOME folder).
- Bluetooth connectivity for wireless audio streaming from mobile devices.
- AUX input for external audio sources with amplified output.
- Supports TF card and USB storage (up to 32GB).
- Built-in sound modes: Normal, Rock, Classical, Jazz, Pop.
- Supports multiple audio formats: MP3, WAV, WMA, FLAC, APE, DTS, AAC, AC3, OGG, etc.
- Power-off memory function resumes last playback status.

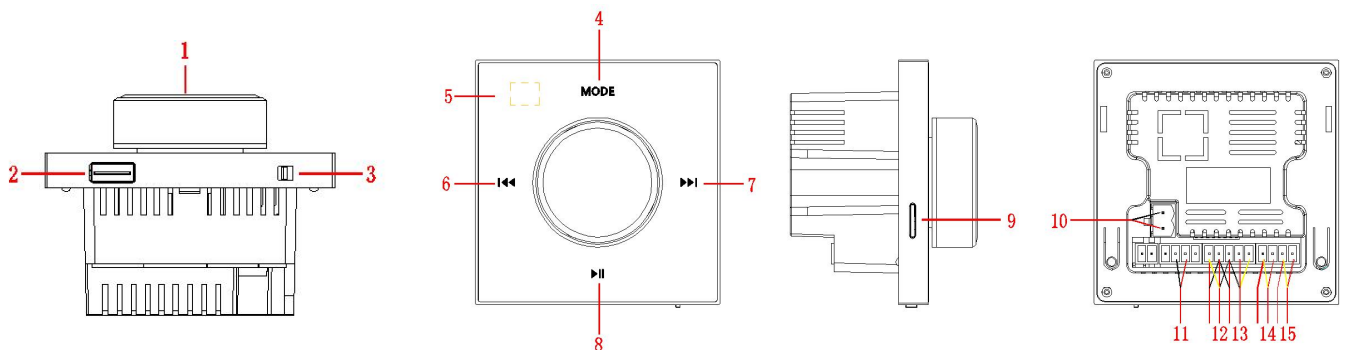
- Supports automatic playback on power-on.
- Infrared remote control with shortcut keys for easy operation.

Specifications

Model	DM86D	DM86E
Output Power	2x10W/8Ω	4x10W/8Ω
Bluetooth Distance	≅ 10m	
Bluetooth Version	5.3	
Infrared Remote Control Distance	5-8m	
Audio Format	MP3, WAV, WMA, FLAC, APE, DTS, AAC, AC3, OGG	
Load	8 Ohm	
Audio SNR	≥98dB	
THD	0.03% (1W, 1KHz)	
Frequency Response	20Hz-20kHz	
Power Supply	AC220V (50 HZ) allows 110V-250V	
Product Size	86*86*10mm	
Cut-Out Size	78*78*57mm	
Net Weight	0.44kg	

Front / Rear Panel

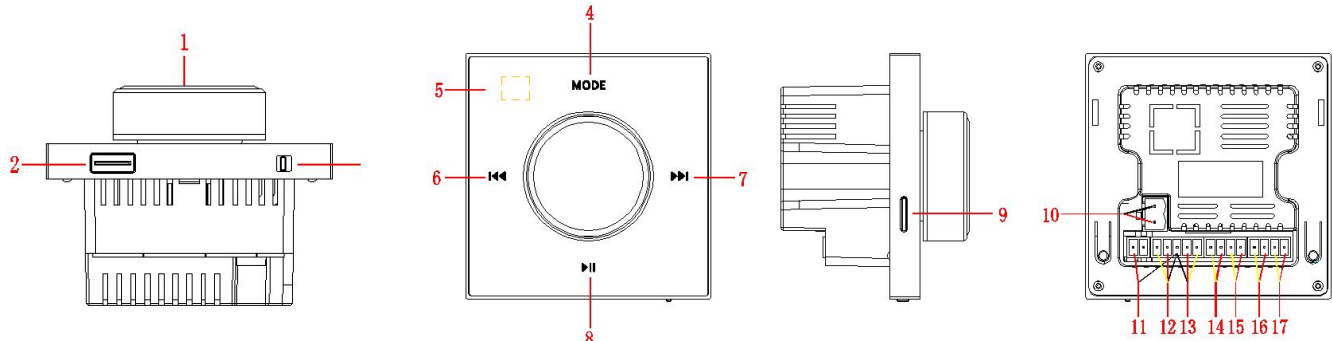
DM86D Front / Rear Panel



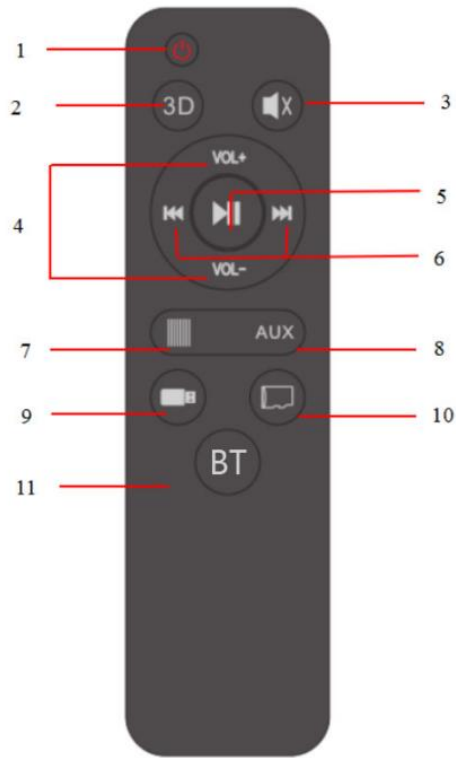
1. Knob: Adjust the volume by rotation (clockwise volume increases, counterclockwise volume decreases) The main interface can display the host playback mode, volume and song name.
2. USB interface: It can be connected to standard 1.1, 2.0 U disk, and supports a maximum capacity of 32G.
3. Power switch: Turn off power to the left and turn on power to the right.
4. Mode switch key: Press the key to switch the playback mode, support TF card mode, USB disk mode, AUX mode, Bluetooth mode.
5. Remote control infrared receiver.
6. Previous: Press this key to play the previous song.
7. Next: Press this key to play the next song.
8. Play/Pause: Press this key to play music, and then press this key to pause music.
9. TF card interface: The TF card interface is inserted to the right of the card holder, which can support a maximum capacity of 32G.
10. Power terminal: Connect the AC220V power supply.
11. Doorbell: Connect GND+DB to trigger the doorbell.
12. Audio input cable: audio cable (three-core shielded cable: commonly known as microphone cable), RVVP2x0.5, RVVP2x0.75, connected to AUX L+AUX R+GND.

13. Audio output: audio cable (three-core shielded cable: commonly known as microphone cable), RVVP2×0.5, RVVP2×0.75, connected to OUT L +OUT R+GND.
14. Speaker: speaker wire (200 core), RVH2×100, RVH2×200 connected to SPK L-SPK L+.
15. Speaker: speaker wire (200 cores), RVH2×100, RVH2×200 connected to SPK R-SPK R+.

DM86E Front / Rear Panel



1. Knob: Adjust the volume by rotation (clockwise volume increases, counterclockwise volume decreases) The main interface can display the host playback mode, volume and song name.
2. USB interface: It can be connected to standard 1.1, 2.0 USB disk, and supports a maximum capacity of 32G.
3. Power switch: Turn off power to the left and turn on power to the right.
4. Mode switch key: Press the key to switch the playback mode, support TF card mode, USB disk mode, AUX mode, Bluetooth mode.
5. Remote control infrared receiver.
6. Previous: Press this key to play the previous song.
7. Next: Press this key to play the next song.
8. Play/Pause: Press this key to play music, and then press this key to pause music.
9. TF card interface: The TF card interface is inserted to the right of the card holder, which can support a maximum capacity of 32G.
10. Power terminal: Connect the AC220V power supply.
11. Doorbell: Connect GND+DB to trigger the doorbell.
12. Audio output: audio cable (three-core shielded cable: commonly known as microphone cable), RVVP2×0.5, RVVP2×0.75, connected to OUT L +OUT R+GND.
13. Audio input cable: audio cable (three-core shielded cable: commonly known as microphone cable), RVVP2×0.5, RVVP2×0.75, connected to AUX L+AUX R+GND.
14. Speaker: Horn wire (200 core), RVH2×100, RVH2×200 connected to SPK L-SPK L+.
15. Speaker: speaker wire (200 cores), RVH2×100, RVH2×200 connected to SPK R-SPK R+.
16. Speaker: speaker wire (200 core), RVH2×100, RVH2×200 connected to SPK L-SPK L+.
17. Speaker: speaker wire (200 cores), RVH2×100, RVH2×200 connected to SPK R-SPK R+.



1. On key: Press the key to power on, press the key again to power off.
2. 3D key: Press this key to switch 3D sound effects.
3. Mute key: Press this key to turn off the sound, and then press to turn on
4. Volume control key: Press this key to control the volume increase or decrease, long press to quickly adjust
5. Play/Pause: Press this key to play/pause music.
6. Previous/Next song key: Press this key to play the previous or next song.
7. Sound key: Press this key to change the sound.
8. AUX Play: Press this key to switch to AUX play mode.
9. USB Play: Press the key to play and switch to USB Disk mode to play.
10. TF card playback: Press this key to switch to T card playback mode.
11. Bluetooth Playback: Press this key to switch to Bluetooth playback mode.